

®

Hydro-Tek

Version 5



WORLD BEST HYDRAULIC POWER UNITS

# HYDRAULIC

- MINI POWER PACKS
- Hyd. POWER UNIT
- MOTOR
- PUMP
- VALVE
- CYLINDER
- ACCESSORY
- HYDRAULIC OIL

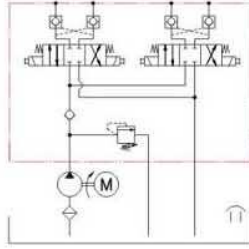


Hydraulic solution **Hydro-Tek**®

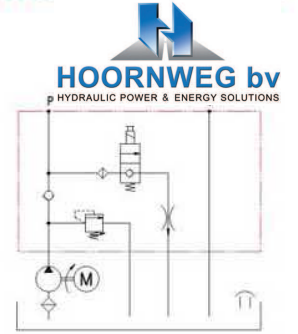
## TYPICAL APPLICATION-DC

## TYPICAL APPLICATION-AC

### WING BODY

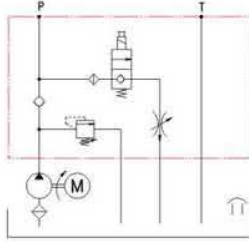


### SCISSOR LIFT

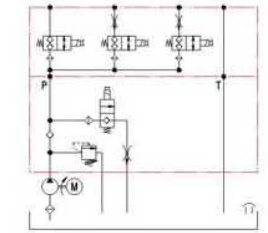


**HOORNWEG bv**  
HYDRAULIC POWER & ENERGY SOLUTIONS

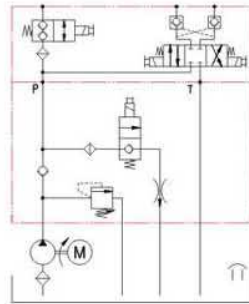
### TIPPER



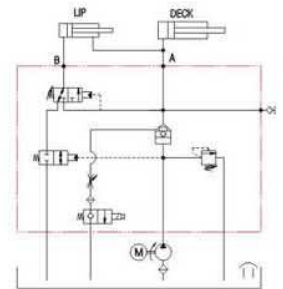
### 4 POST CAR LIFT



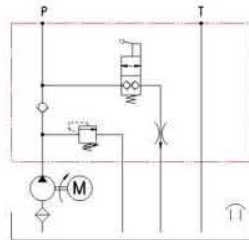
### TAIL LIFT



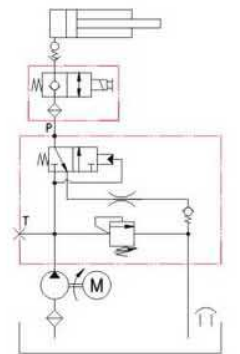
### DOCK LEVELER



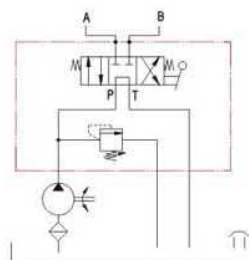
### STACKER



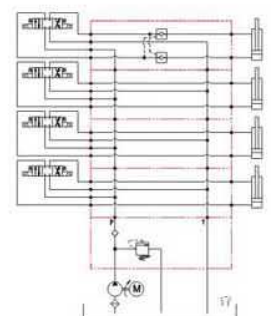
### PLATFORM MAN LIFT

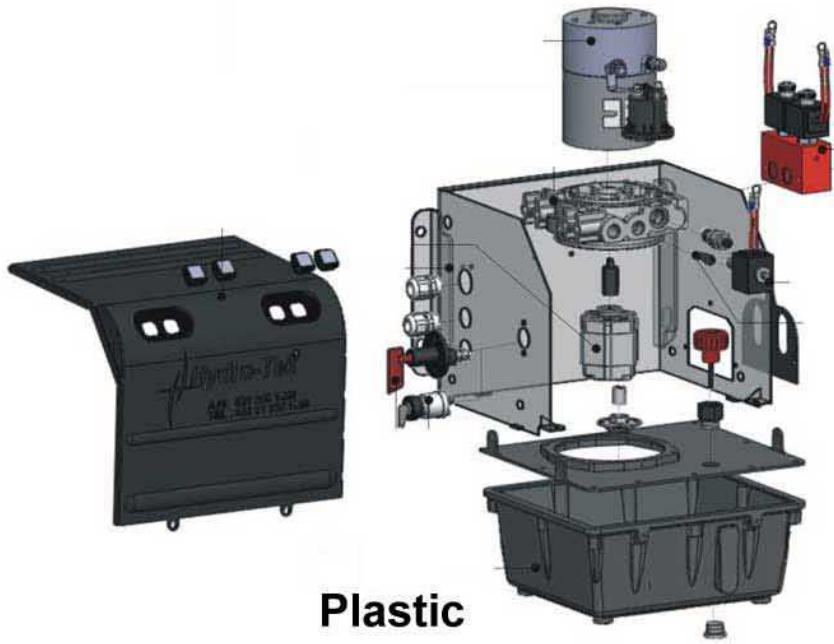


### CARRIER FOR AGRICULTURE

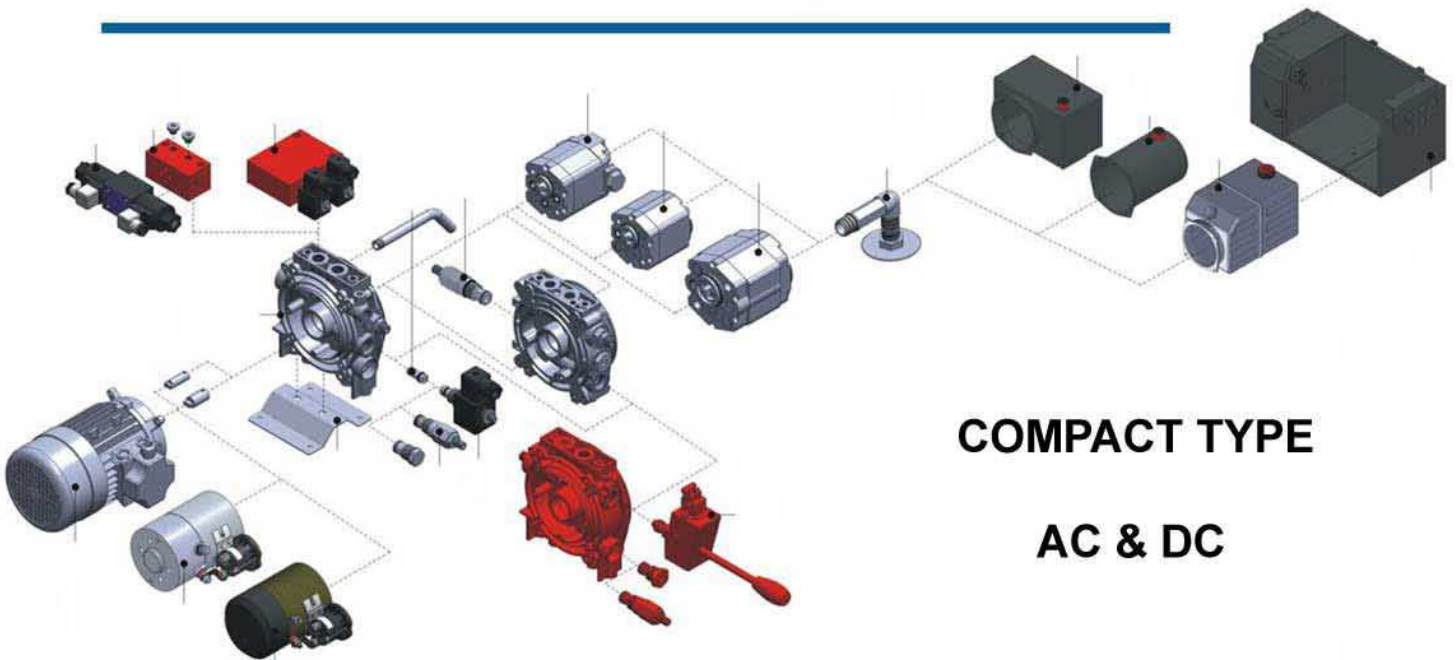


### TIRE CHANGERS

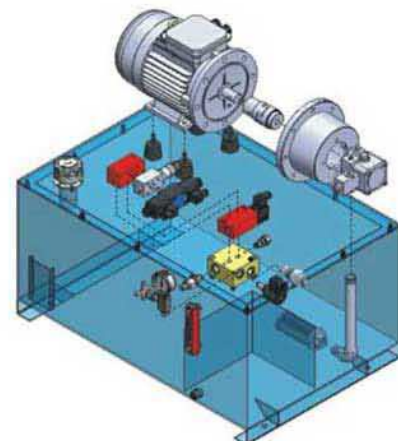
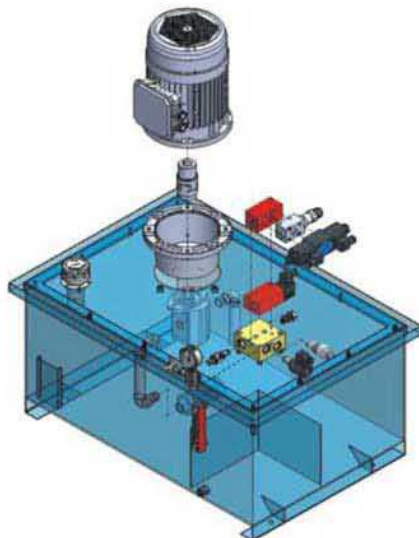




## BOX TYPE



## INDUSTRIAL TYPE



# PUMP



GEAR PUMP	GROUP 1	1.4 - 13.8 cc/rev
	GROUP 2	4 - 36 cc/rev
	GROUP 3	22 - 61 cc/rev
VANE PUMP	SHAFT 1/2"	12, 15, 20 l/min
	SHAFT 3/4"	30, 40 l/min

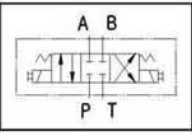
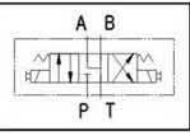
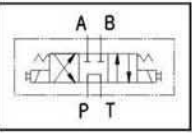
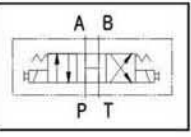
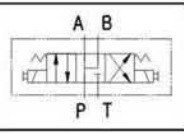
# MODULAR VALVE



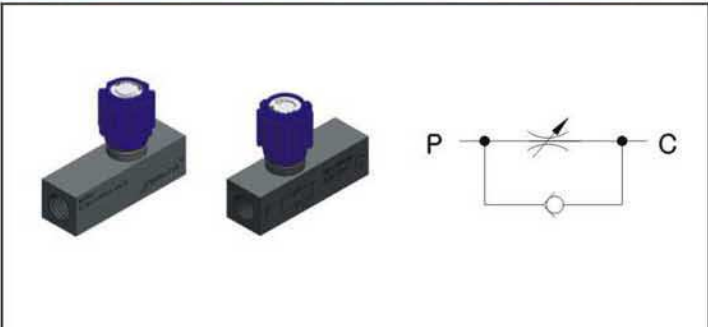
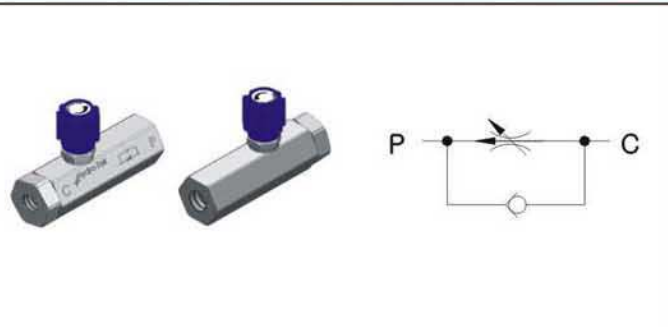
CHECK VALVE	CETOP3 Max Pressure : 250 bar Max Flow-rate : 40 l/min
PILOT CHECK VALVE	
RELIEF VALVE	CETOP5 Max Pressure : 250 bar Max Flow-rate : 80 l/min
REDUCING VALVE	
THROTTLE VALVE	

# DIRECTIONAL VALVE



				
CETOP3 Max Pressure : 315 bar Max Flow-rate : 60 l/min		CETOP5 Max Pressure : 350 bar Max Flow-rate : 100 l/min		

# FLOW CONTROL VALVE



CODE	WORKING PRESSURE (Max.)	FLOW RANGE (Max.)	PORT	CODE	WORKING PRESSURE (Max.)	FLOW RANGE (Max.)	PORT
<b>P400</b>	250 kg-f/cm <sup>2</sup>	10 l/min	PT1/4"	<b>F400</b>	350 kg-f/cm <sup>2</sup>	20 l/min	PT1/4"
<b>P600</b>		18 l/min	PT3/8"	<b>F600</b>		55 l/min	PT3/8"
<b>P800</b>		33 l/min	PT1/2"	<b>F800</b>		110 l/min	PT1/2"

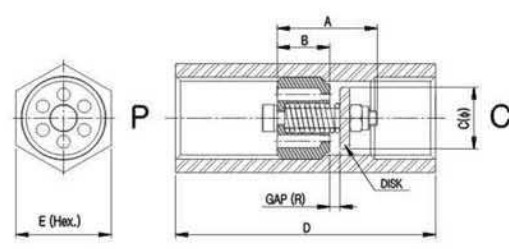

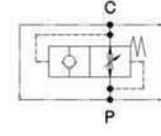
## CARTRIDGE VALVE

- ▶ Check Valve
- ▶ Pilot Check Valve
- ▶ Relief Valve
- ▶ Pressure Compensated Throttle Valve
- ▶ Pressure Compensated Adjustable Throttle Valve
- ▶ Speed Control Valve
- ▶ Shuttle Valve
- ▶ Sequence Valve
- ▶ Pilot Operated Directional Valve
- ▶ Shift Valve
- ▶ Manual Valve
- ▶ Solenoid Valve




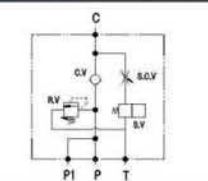
## LINE TYPE BURST VALVE

CODE	WORKING PRESSURE (Max.)	FLOW (Min.)	FLOW (Max.)	PORT
<b>B400</b>	350 kg·f/cm <sup>2</sup>	4 ℓ/min	25 ℓ/min	PF1/4"
<b>B600</b>		6 ℓ/min	50 ℓ/min	PF3/8"
<b>B800</b>		16 ℓ/min	80 ℓ/min	PF1/2"


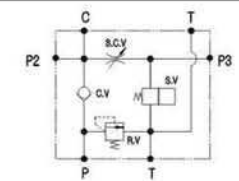




## LIFT VALVE

CAVITY	PRESSURE (Max.)	FLOW (Max.)	PORT SIZE			
			P	T	P1	C
09 (UNF 3/4-16)	250 kg·f/cm <sup>2</sup>	40 ℓ/min	PF3/8"	PT3/8"	PT3/8"	PT3/8"

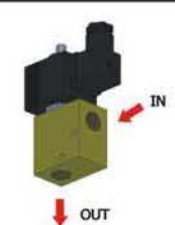




CAVITY	PRESSURE (Max.)	FLOW (Max.)	PORT SIZE					
			P	T1	P2	P3	C	T
10 (UNF 7/8-14)	350 kg·f/cm <sup>2</sup>	68 ℓ/min	PT1/2"	PT3/4"	PF1/4"	PF1/4"	PT1/2"	PT1/2"

## SOLENOID VALVE

CAVITY	PRESSURE (Max.)	FLOW (Max.)	PORT SIZE	
			IN	OUT
09 (UNF 3/4-16)	250 kg·f/cm <sup>2</sup>	40 ℓ/min	PT3/8"	PT3/8"

CAVITY	PRESSURE (Max.)	FLOW (Max.)	PORT SIZE	
			IN	OUT
10 (UNF 7/8-14)	350 kg·f/cm <sup>2</sup>	68 ℓ/min	PT1/2"	PT1/2"

